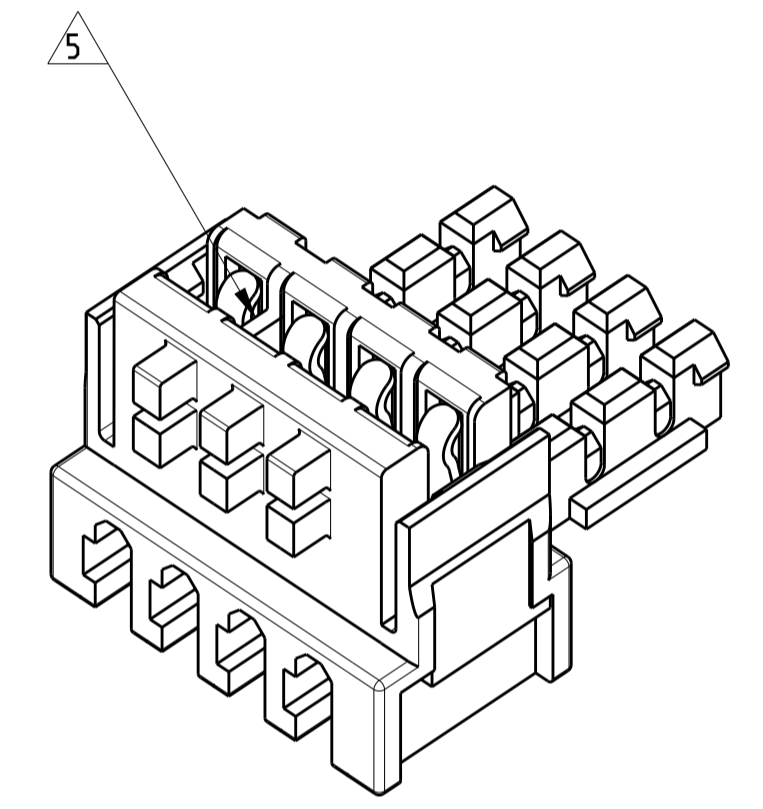
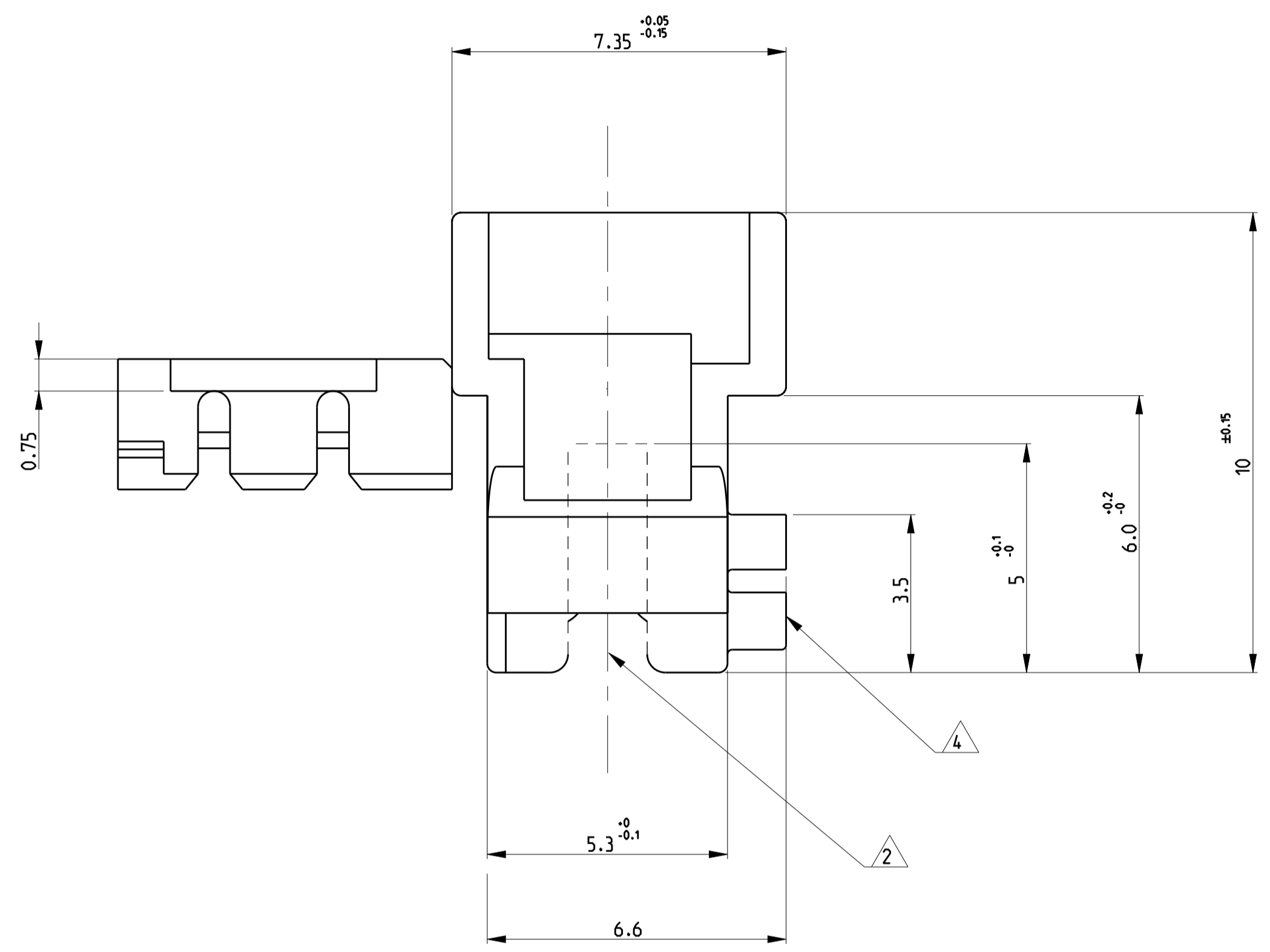
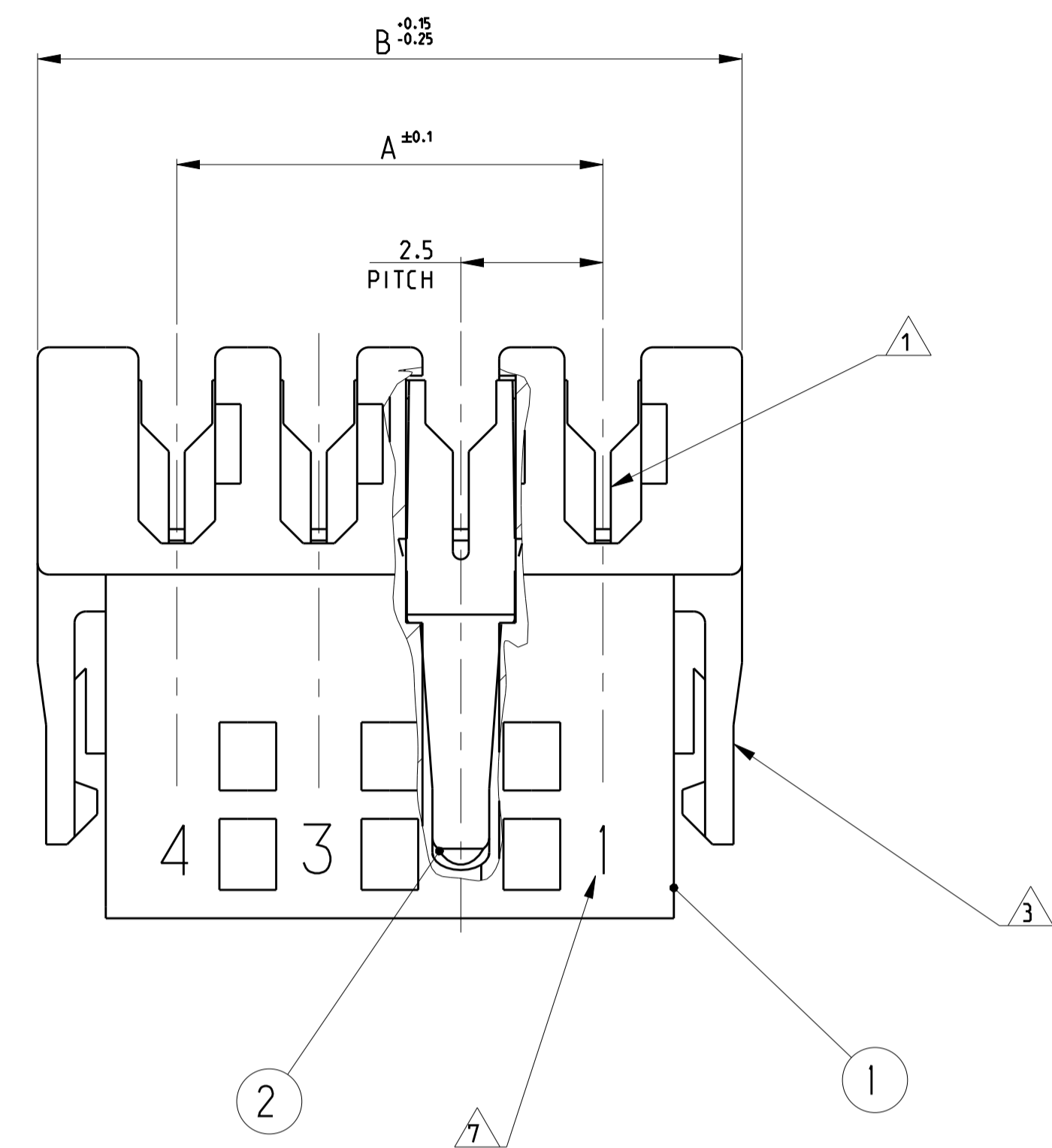
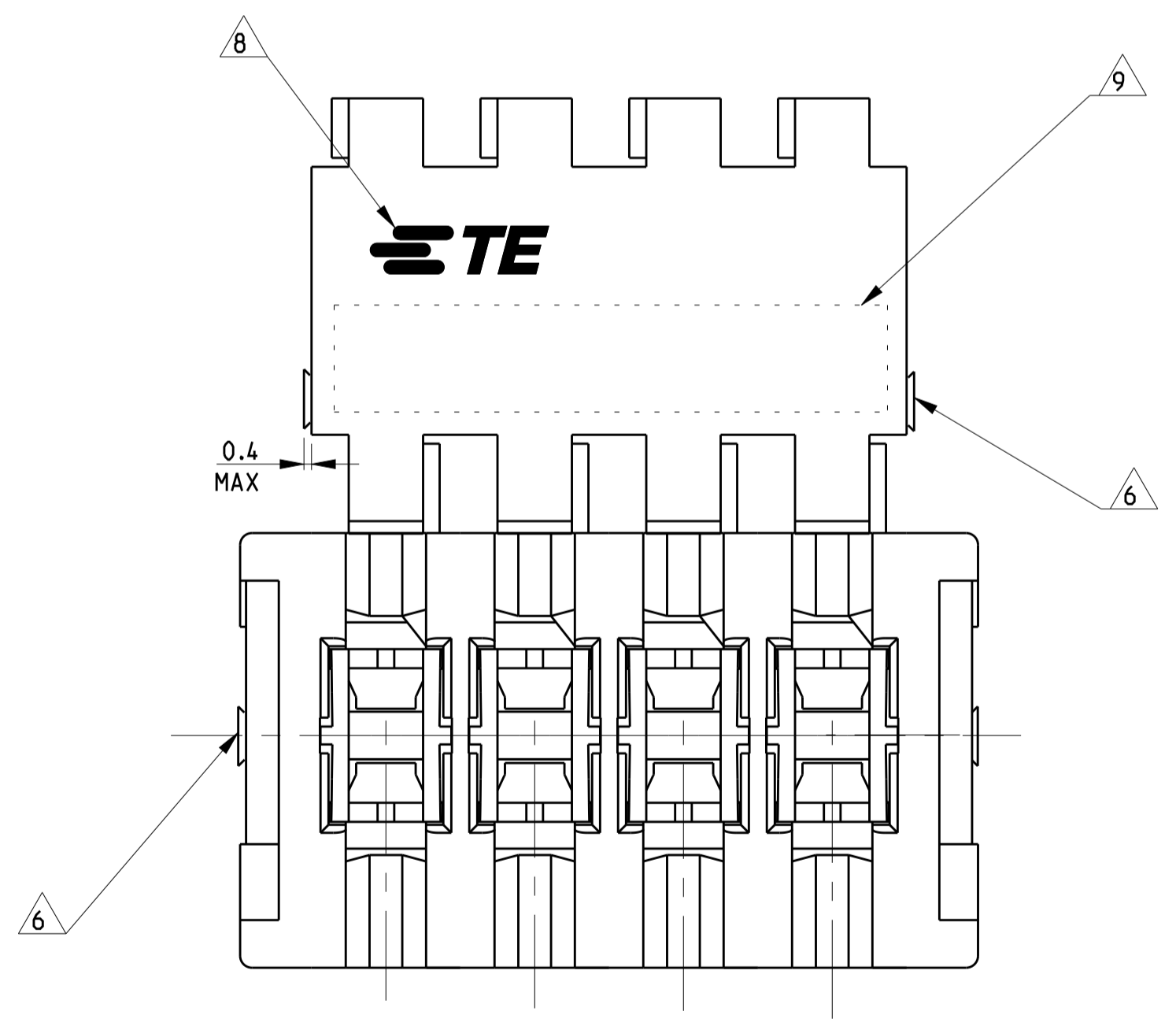


REVISONS		DATE	DWN	APVD
LOC	DIST			
A17		13AUG2015	NK	W W
A18		09DEC2015	KD	RR



SCALE 5:1



- 1 WIRE RANGE : STRANDED 0.22-0.35 mm² (INS. DIA. 1.30±0.1)
- 2 MATING PART: P.C.B. EDGE, DOUBLE SIDE, THK 1.5 (COPPER CLADDING INCLUDED)
- 3 SIDE LOCKING DEVICE
- 4 KEYING RIBS TO BE REMOVED BY TERMINATION MACHINE
- 5 POLARIZATION RIBS BETWEEN CAVITIES
- 6 CUT OFF DIMENSION DUE TO PRODUCTION PROCESS
- 7 CIRCUIT No. IDENTIFICATION
- 8 TE TRADEMARK (OPTIONAL POSITION)
- 9 TAMPOGRAPHIC COLOUR CODE AREA (P/Ns IDENTIFICATION BEFORE CRIMPING AREA)
- 10) FOR PCB LAYOUT, SEE PAGES 2-3
FOR CONNECTION VIEW LAYOUT, SEE PAGE 3
- 11 NOT YET RELEASED FOR PRODUCTION
- 12 NOT DEFINED DURING PRELIMINARY STATUS

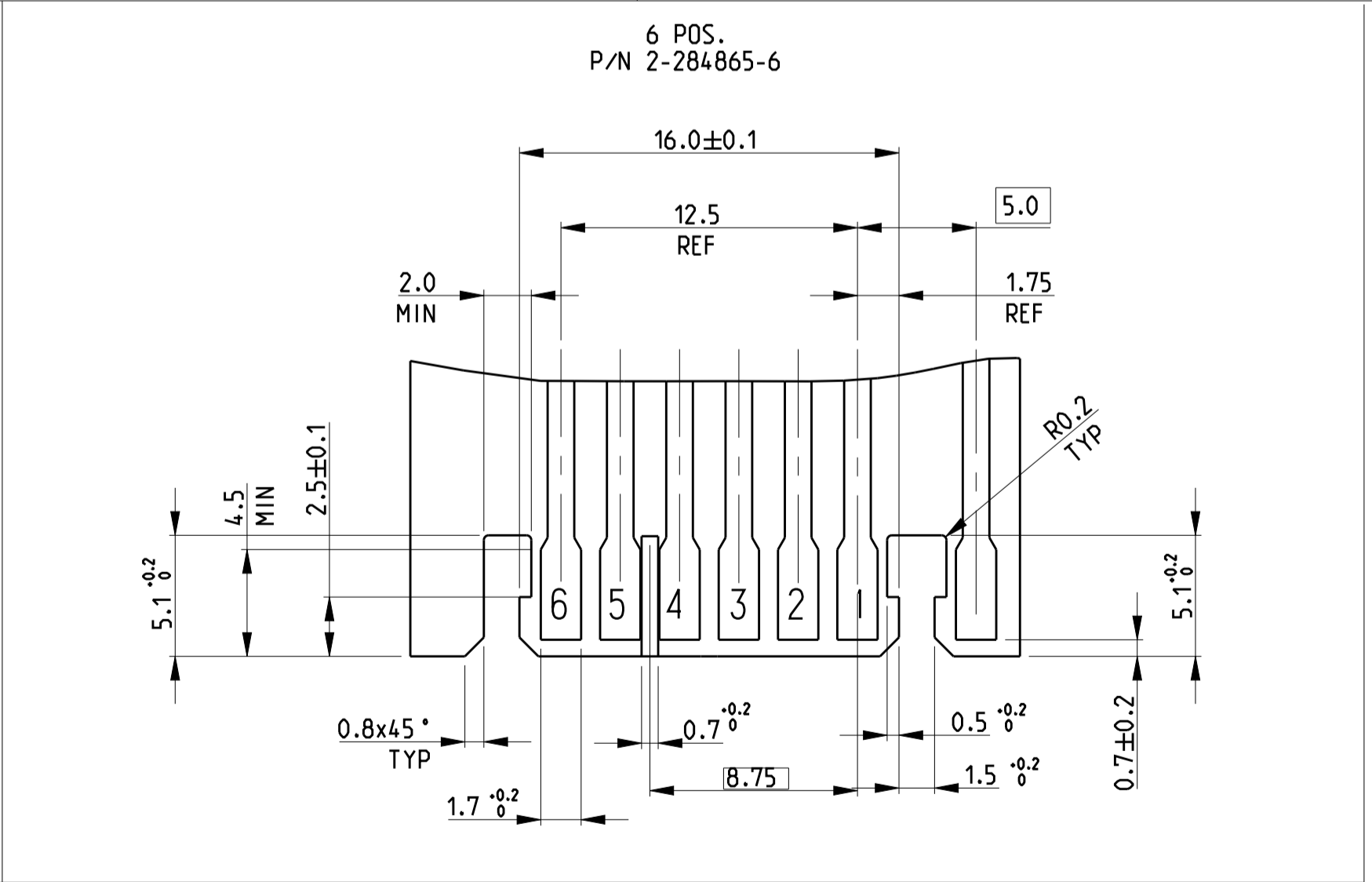
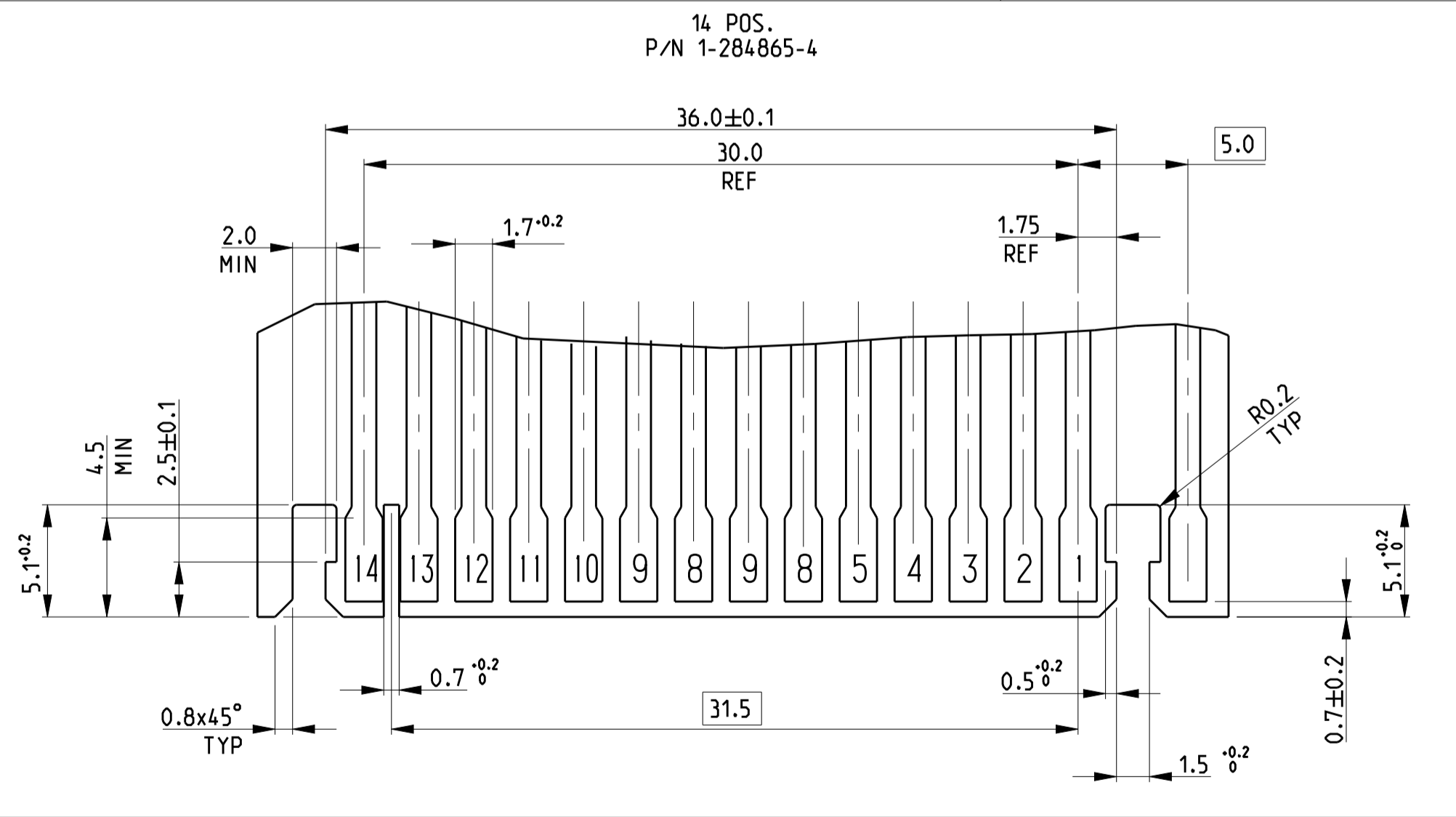
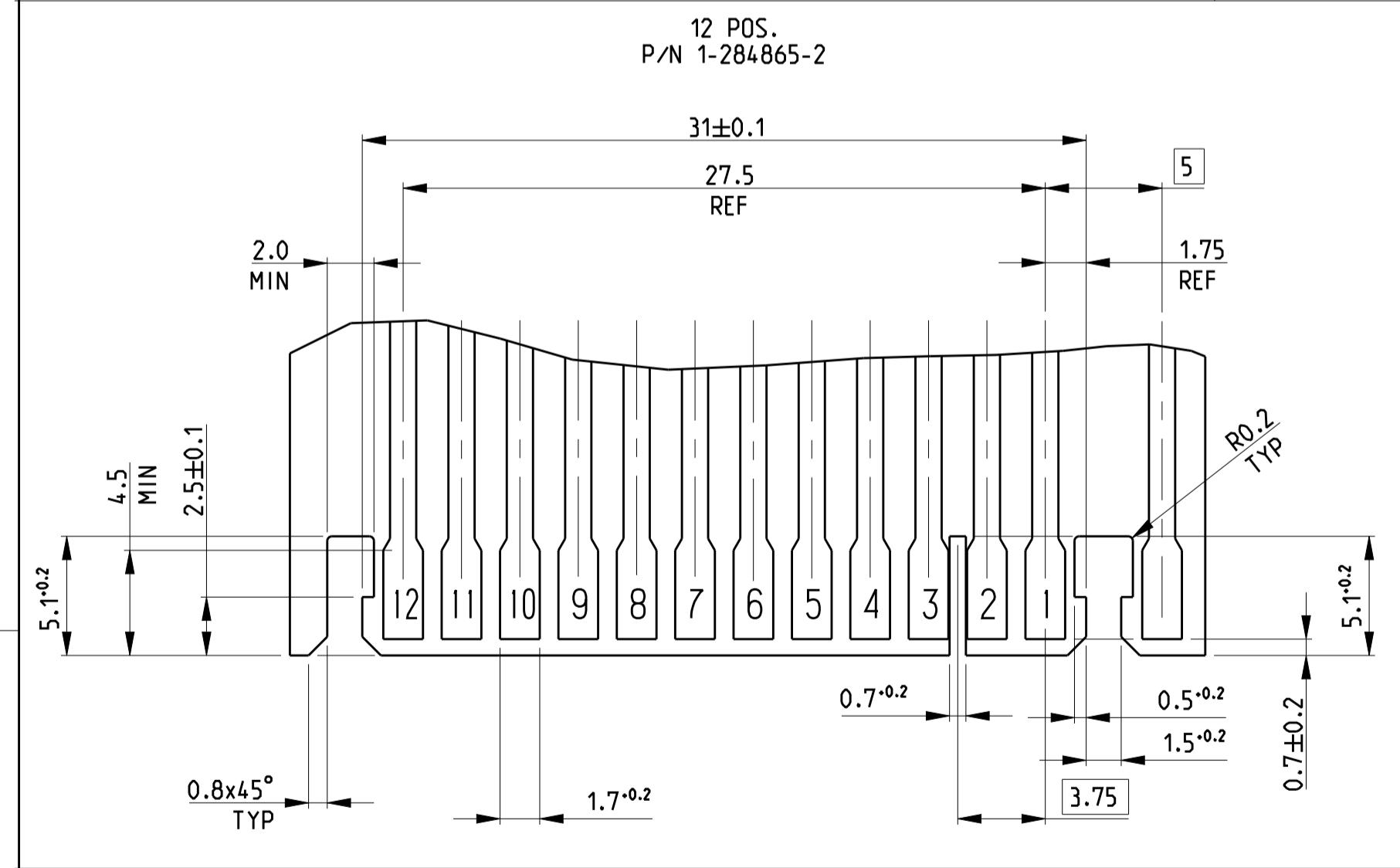
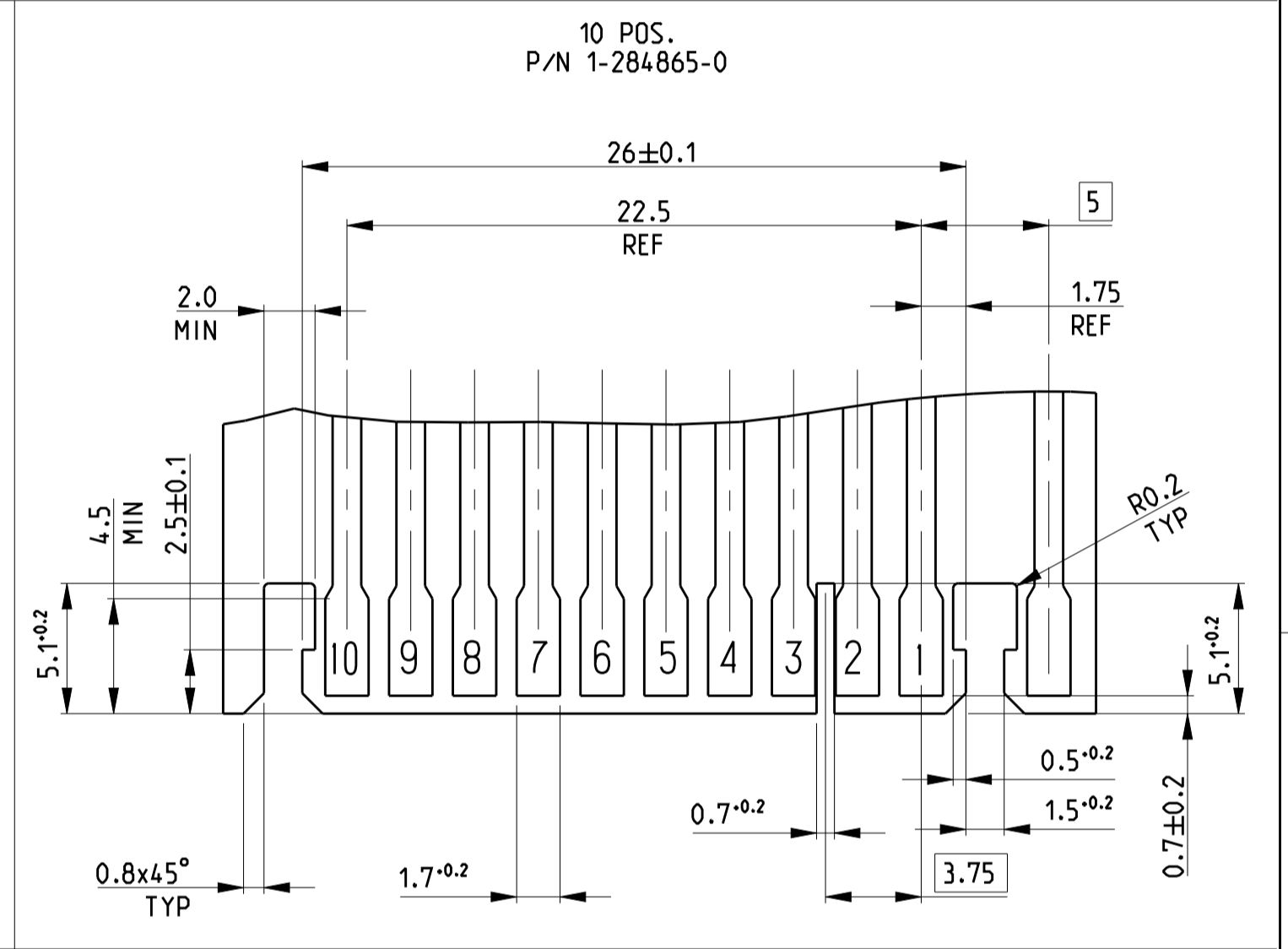
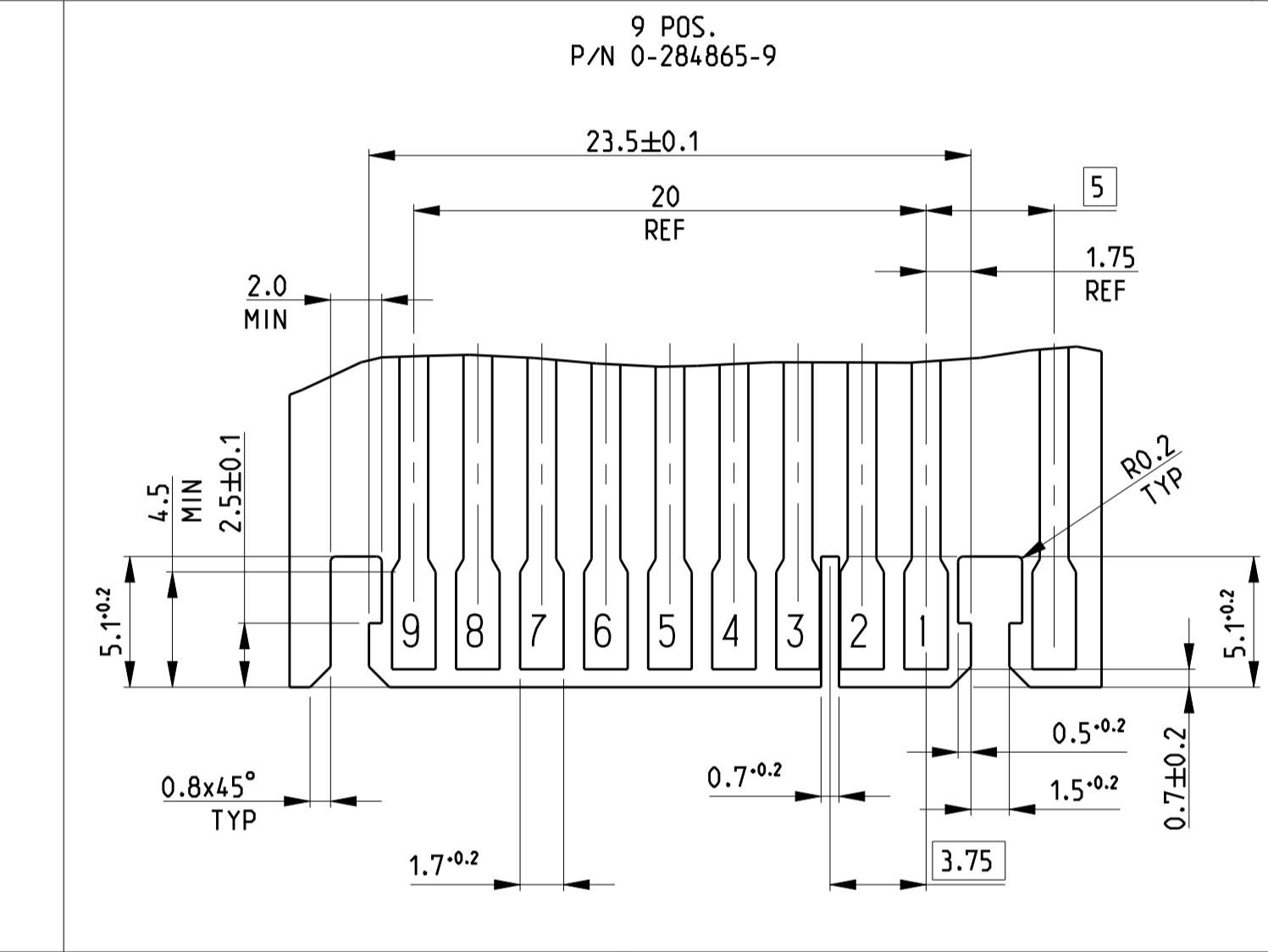
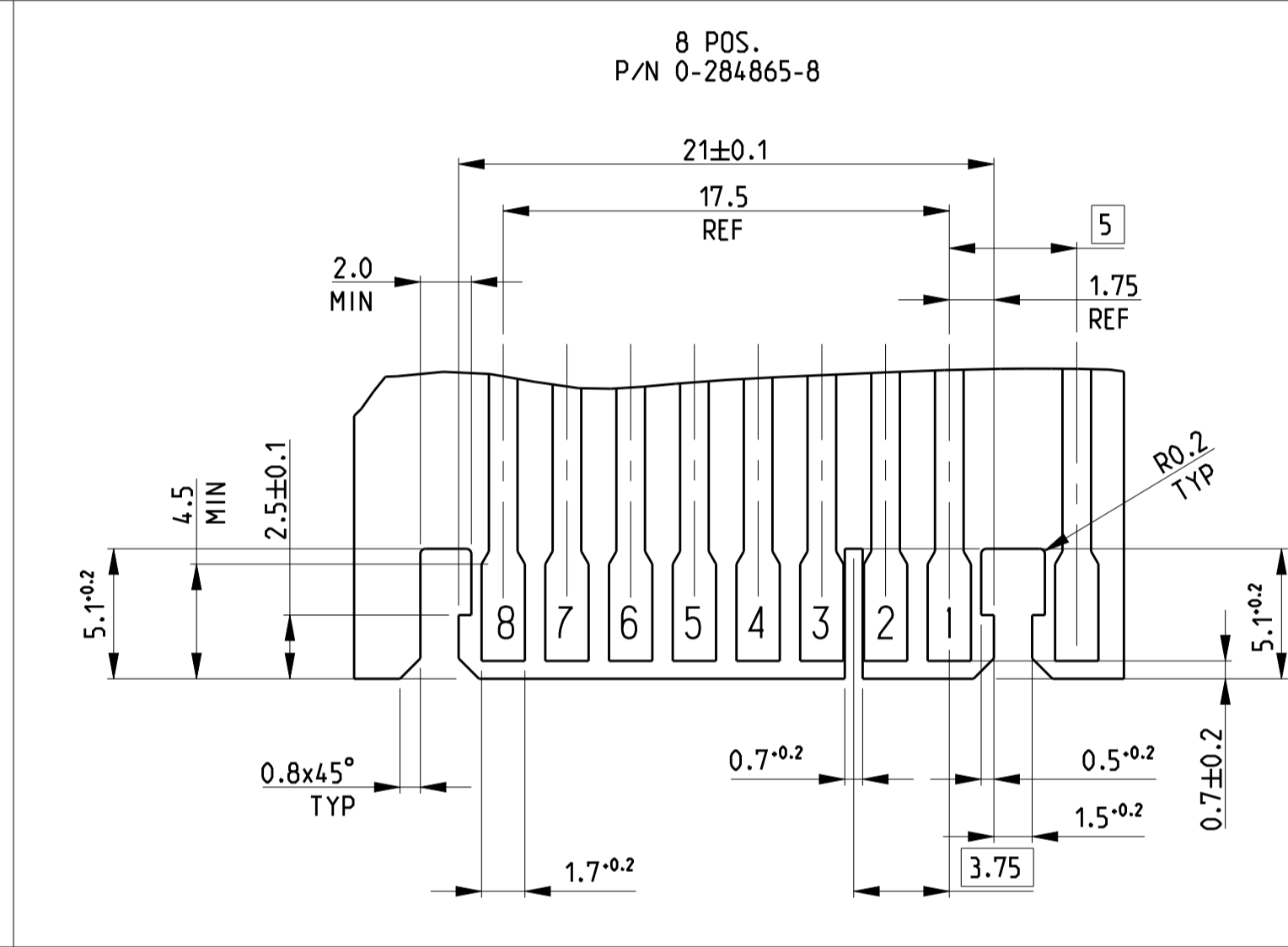
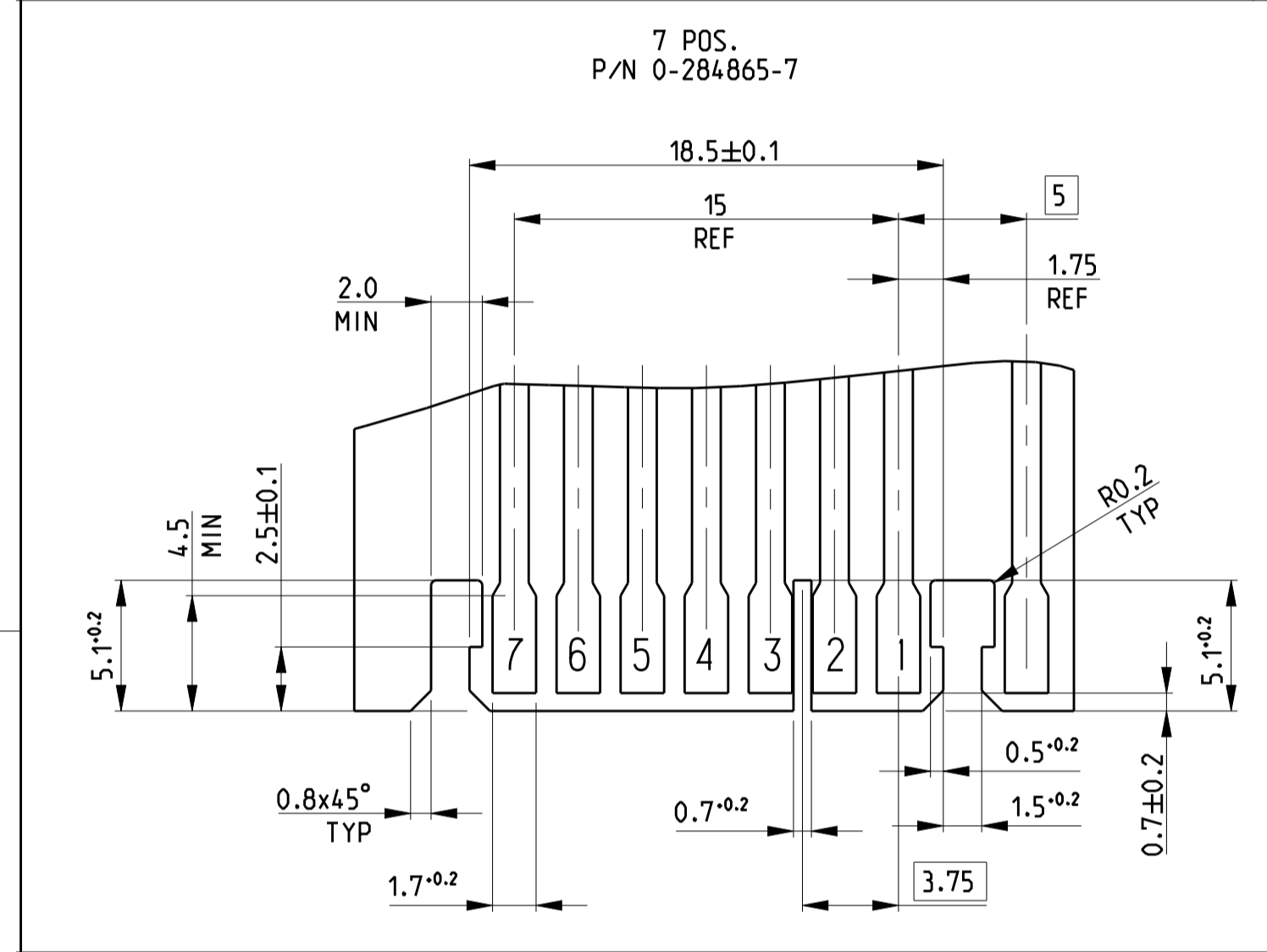
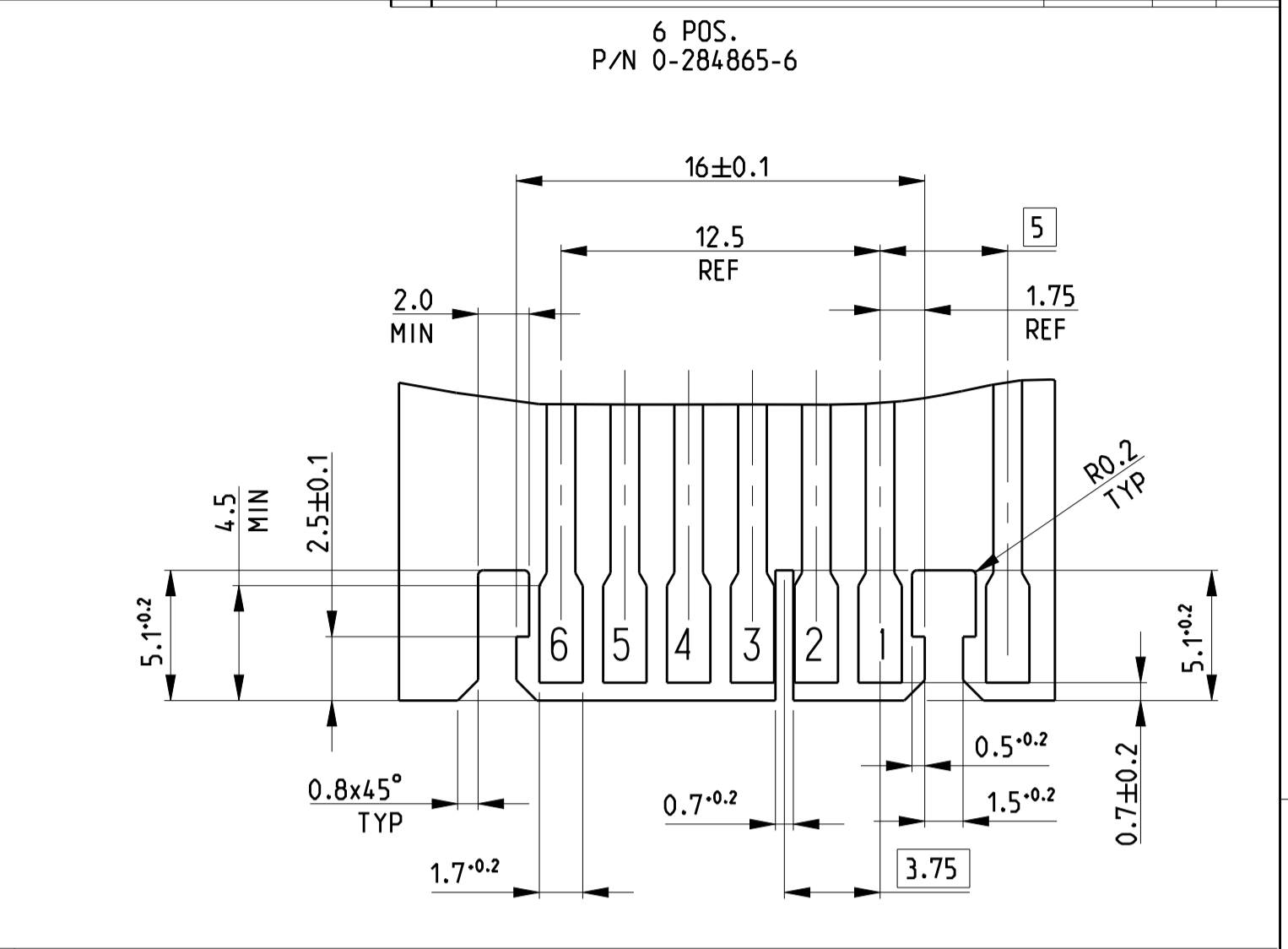
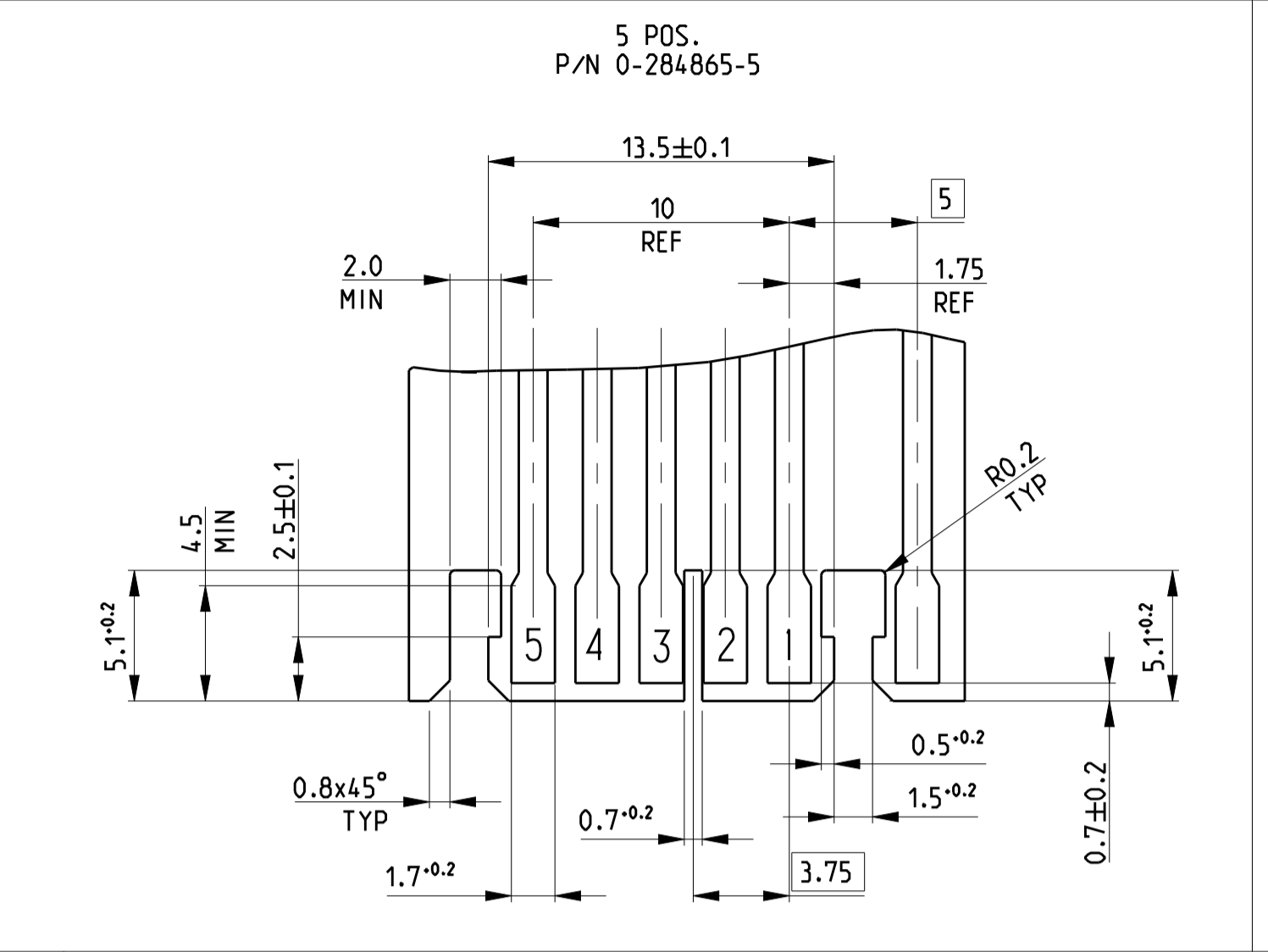
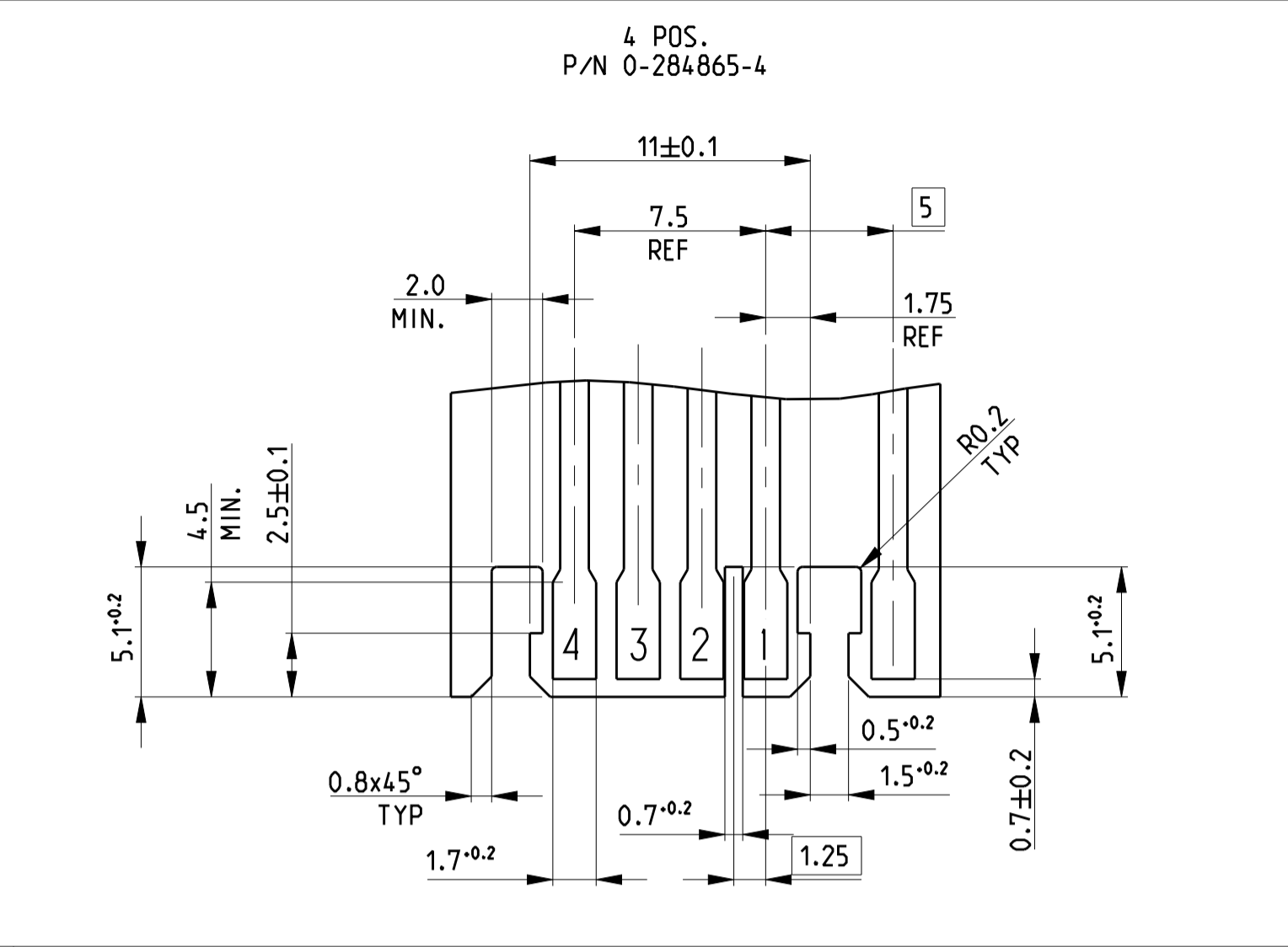
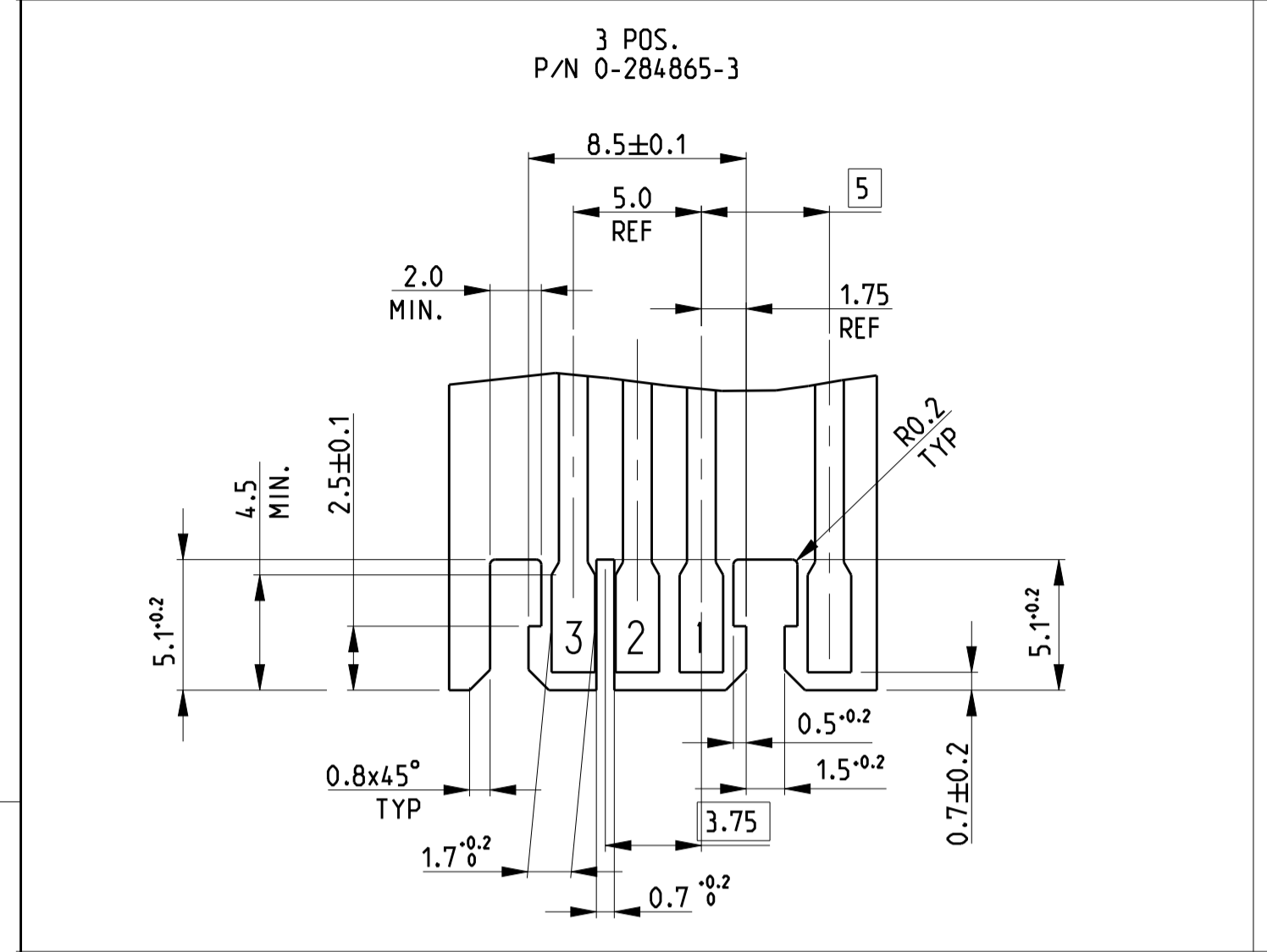
COLOUR CODE	POLARIZ. RIB POS.	HSG POS.	DIM.A	DIM.B	TE P/N	REV
BLACK	13/14	14	32.5	37.4	1-284865-4	A
RED	11/12	12	27.5	32.4	2-284865-2	A
BLACK	2/3	12	27.5	32.4	1-284865-2	A
RED	9/10	10	22.5	27.4	2-284865-0	A
BLACK	2/3	9	20.0	24.9	1-284865-0	A
BLACK	2/3	9	20.0	24.9	0-284865-9	A
RED	3/4	8	17.5	22.4	2-284865-8	A
BLACK	2/3	8	17.5	22.4	0-284865-8	A
BLACK	2/3	7	15.0	19.9	0-284865-7	A
-	3/4				5-284865-6	A
ORANGE	5/6				4-284865-6	A
BLUE	1/2	6	12.5	17.4	3-284865-6	A
RED	4/5				2-284865-6	A
BLACK	2/3				0-284865-6	A
GREY	1/2				3-284865-5	A
RED	3/4	5	10.0	14.9	2-284865-5	A
BLACK	2/3				0-284865-5	A
RED	3/4				3-284865-4	1
OBSOLETE	RED	N/A			2-284865-4	A
BLACK	1/2	4	7.5	12.4	0-284865-4	A
RED	1/2	3	5.0	9.9	2-284865-3	A
BLACK	2/3				0-284865-3	A

P/N 0-284865-4 AS SHOWN

-		-		THIS DRAWING IS A CONTROLLED DOCUMENT.		DWN R. FABRIS 03JUL2002		TE Connectivity	
SEE TABLE	PH. BRONZE, TIN PLATED	IDC RECEPTACLE CONTACT	2	DIMENSIONS: mm	TOLERANCES UNLESS OTHERWISE SPECIFIED:	APVD G. TURCO	NAME	DUOPLUG 2.5 FEMALE CONN., SIDE LOCKING KEYPED (FULLY LOADED)	
Q.TY	MATERIAL	DESCRIPTION	ITEM			108-20238	PRODUCT SPEC	SIZE	CAGE CODE DRAWING NO
1						116-18049-1	APPLICATION SPEC	A1	00779
REVISIONI DELL'ASSEMBLATO (REVISION OF EACH ASSY NO)		ELENCO DEI COMPONENTI (PARTS LIST)		MATERIAL SEE TABLE	SEE TABLE	116-18049-1	RESTRICTED TO	SCALE 10:1 SHEET 1 OF 4	
0.24 REV ASSEMBLATO QTY REV FOR ASSY						Customer Drawing		REV A18	

PCB LAYOUT -Soldering side-
 (SCALE 4:1)

LOC		DIST		REVISIONS			
P	LTR	DESCRIPTION	DATE	DNW	APVD		
-	-	SEE SHEET 1	-	-	-		



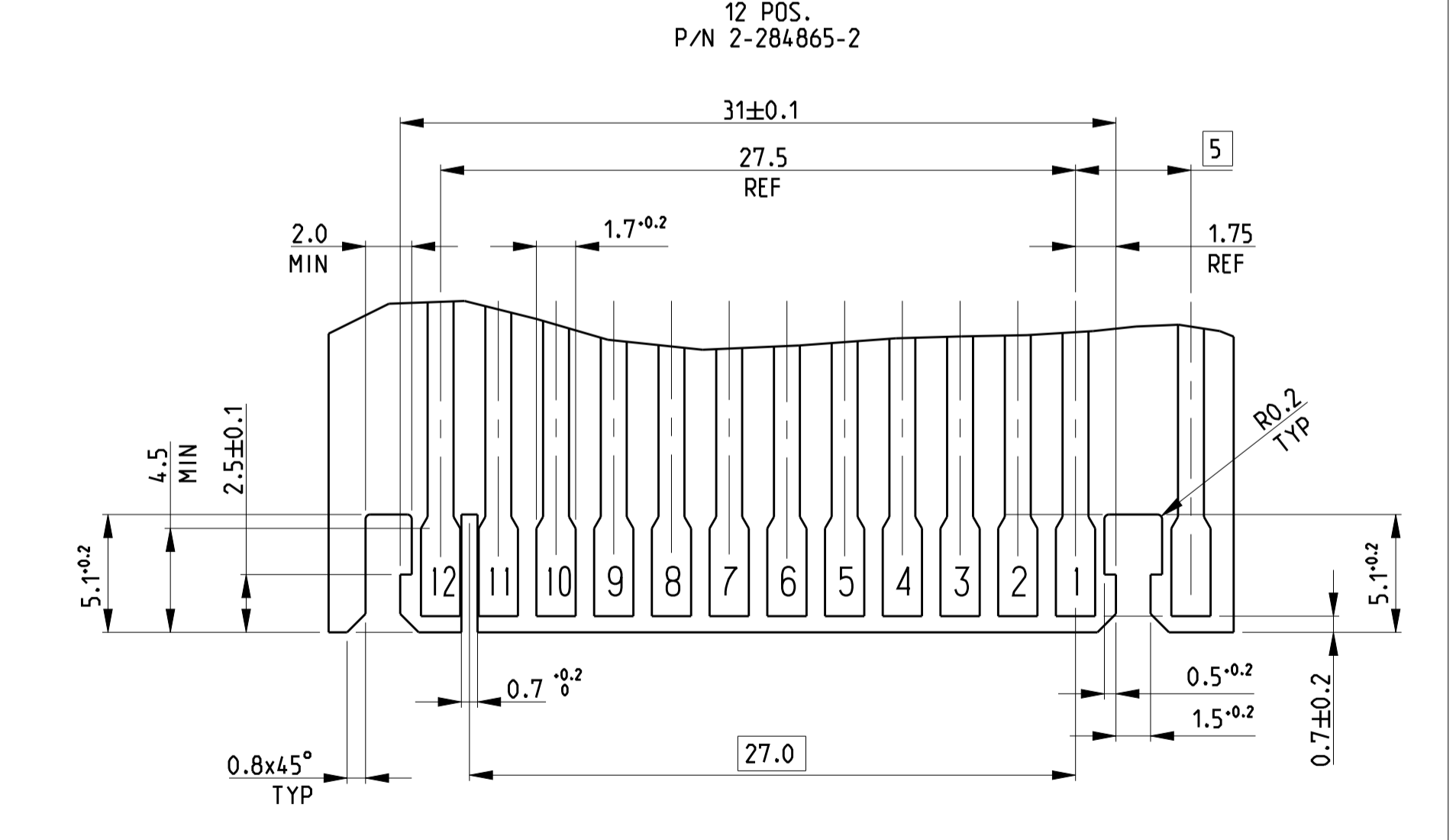
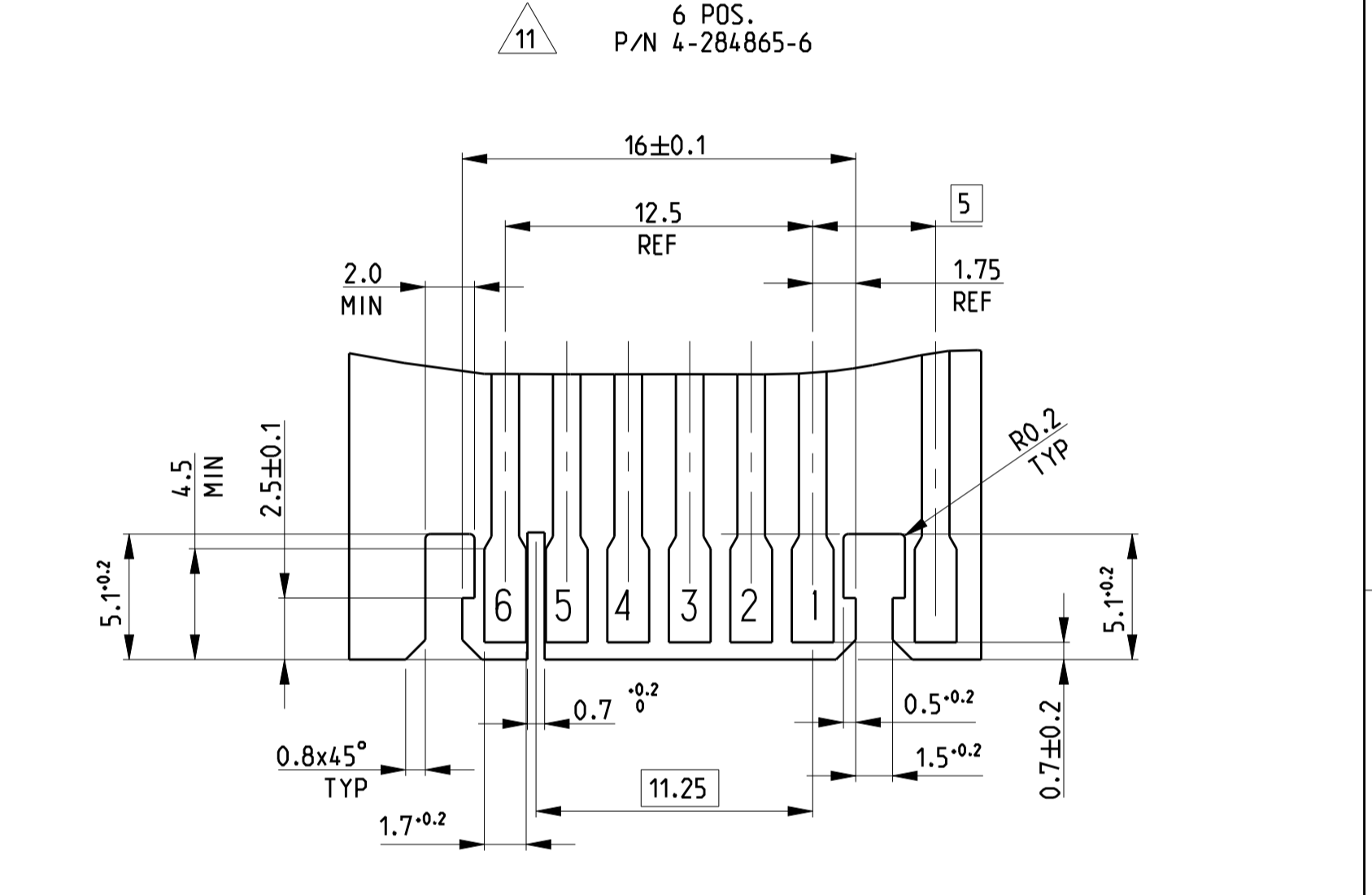
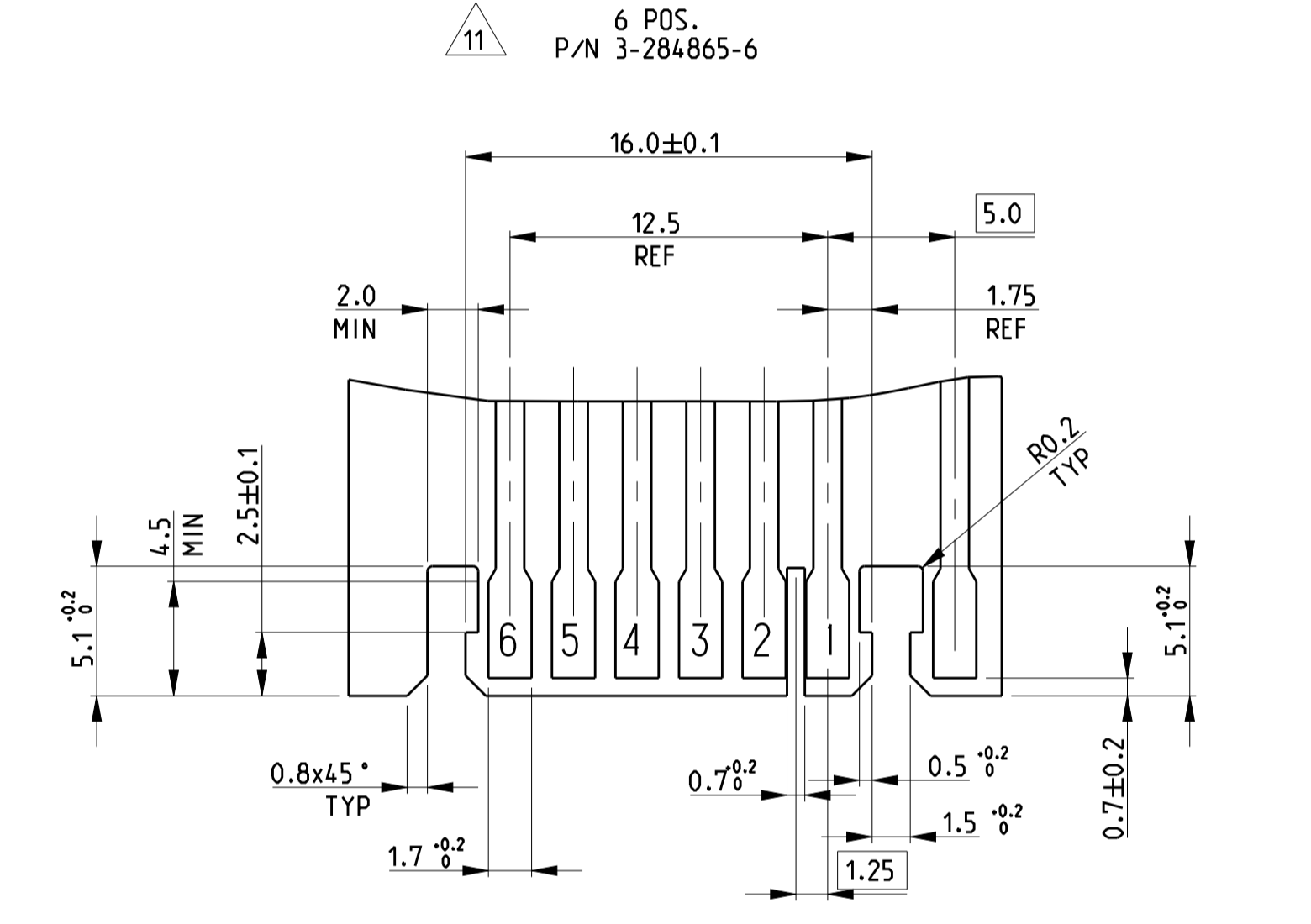
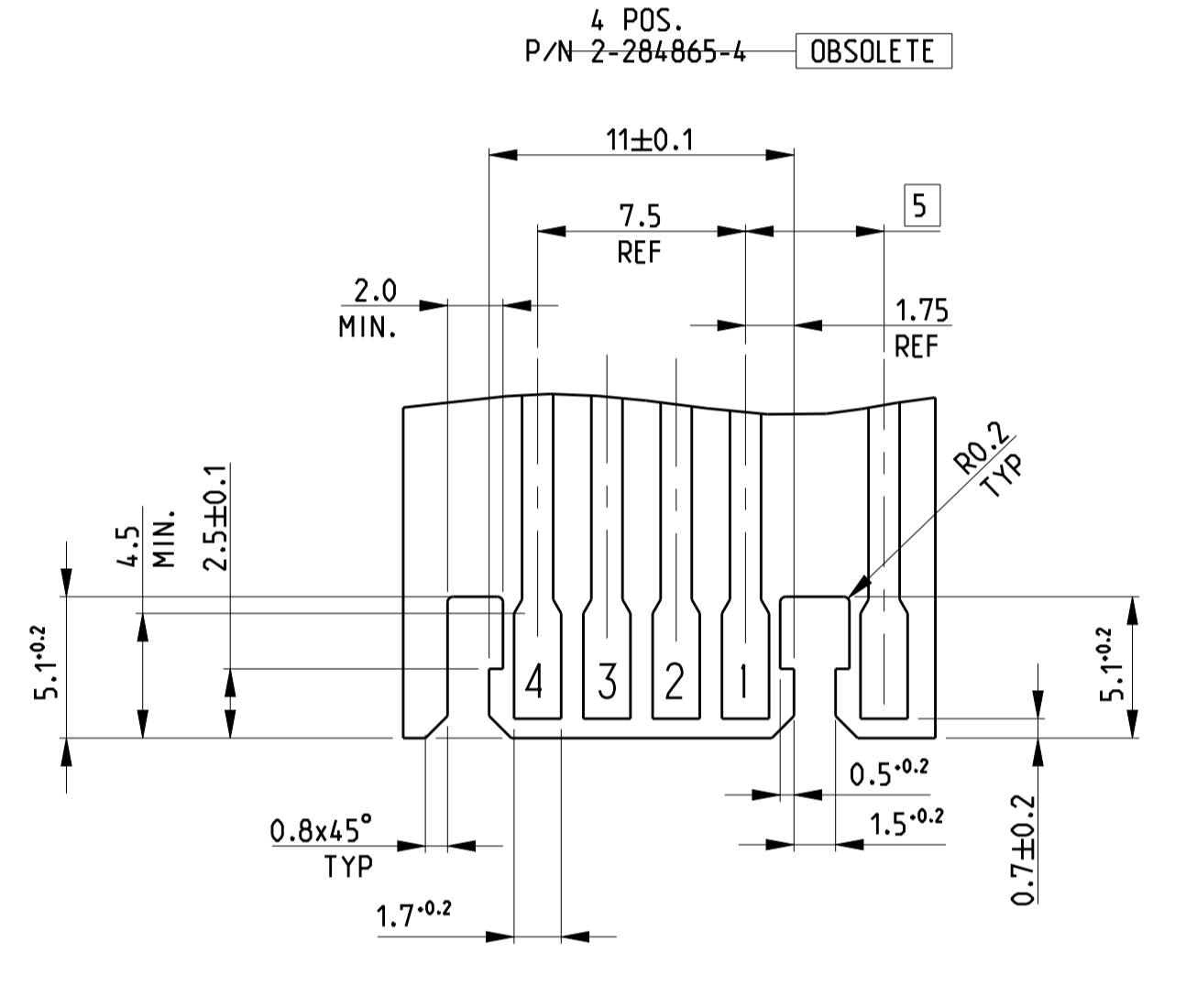
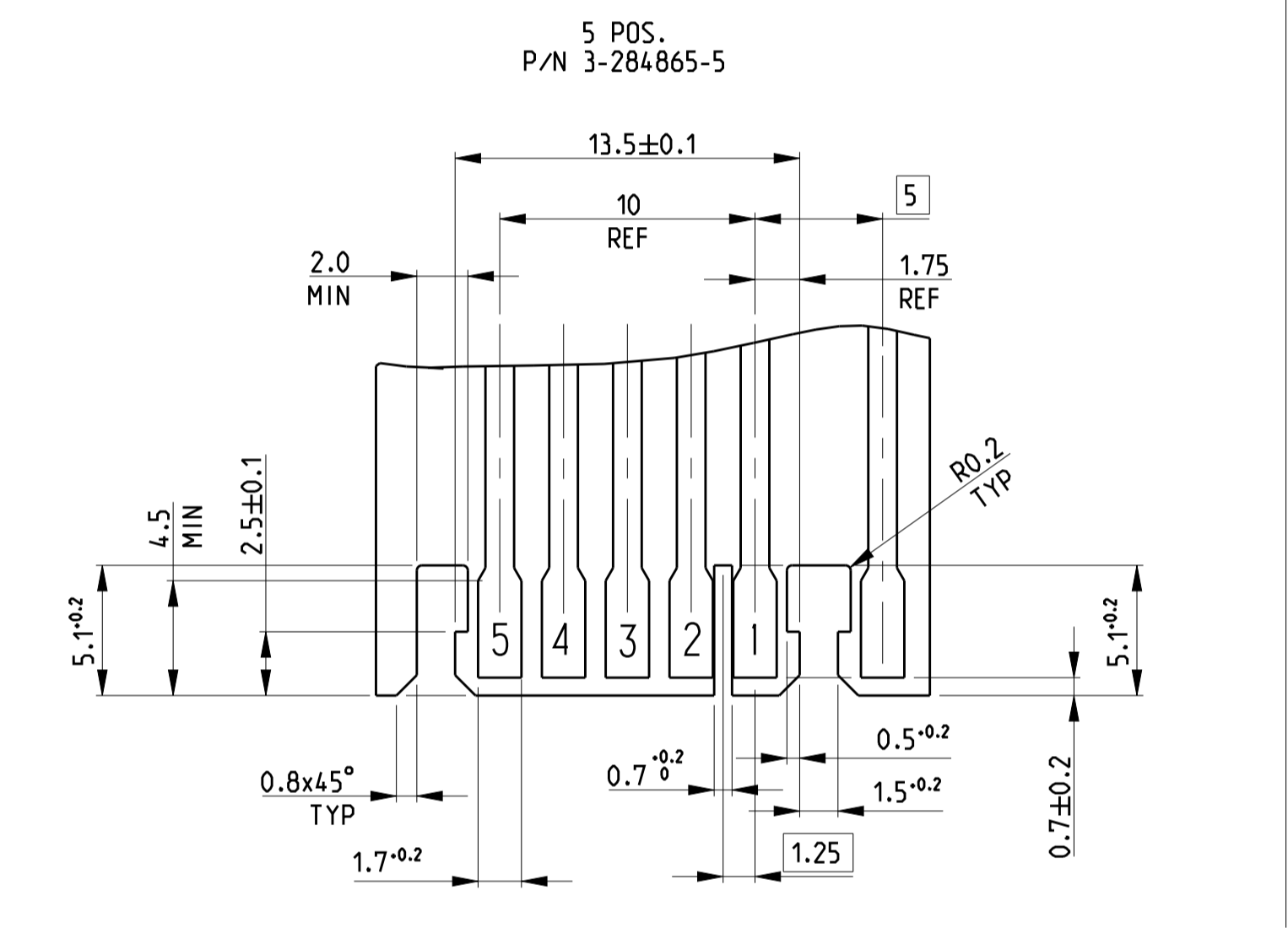
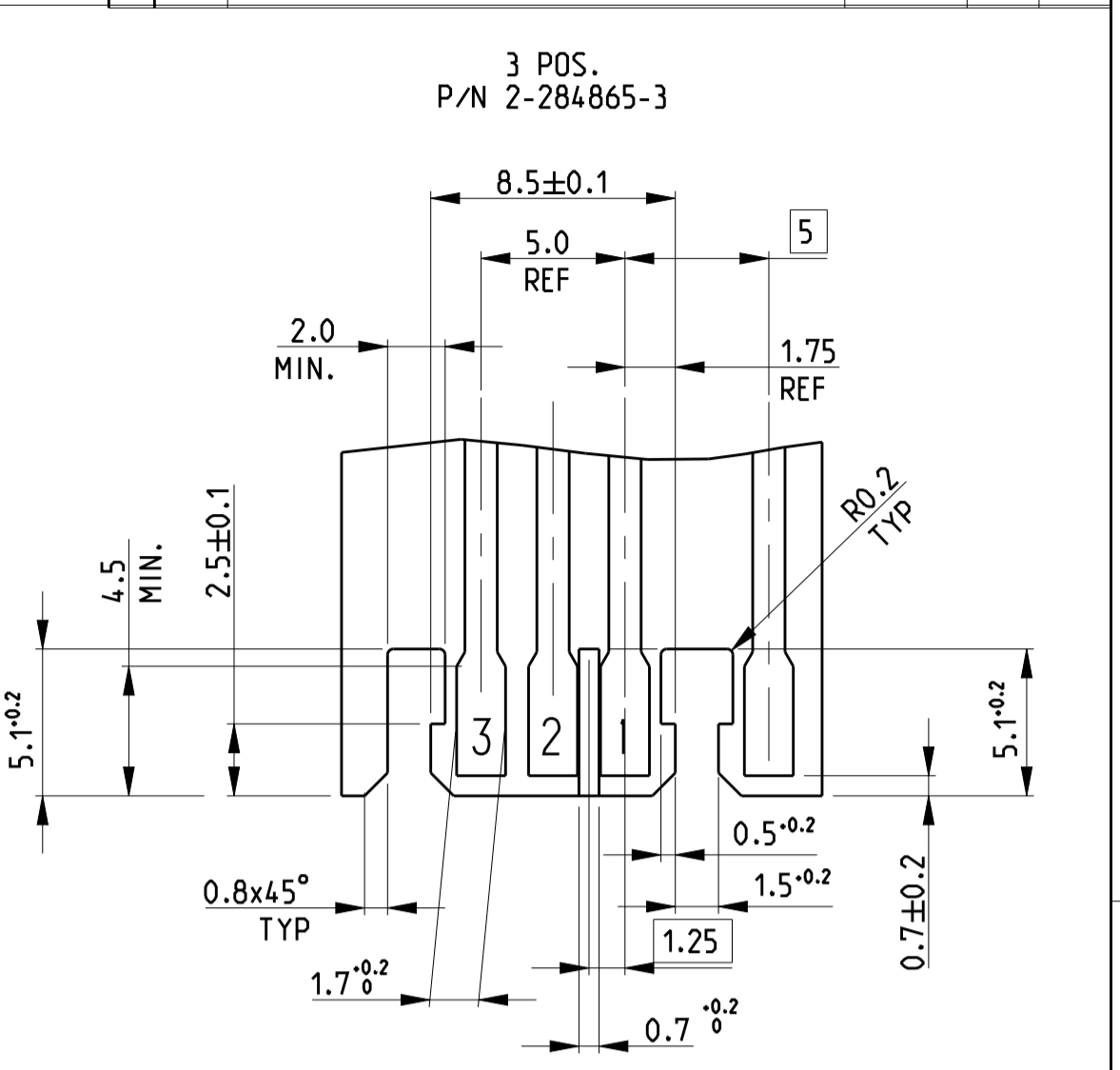
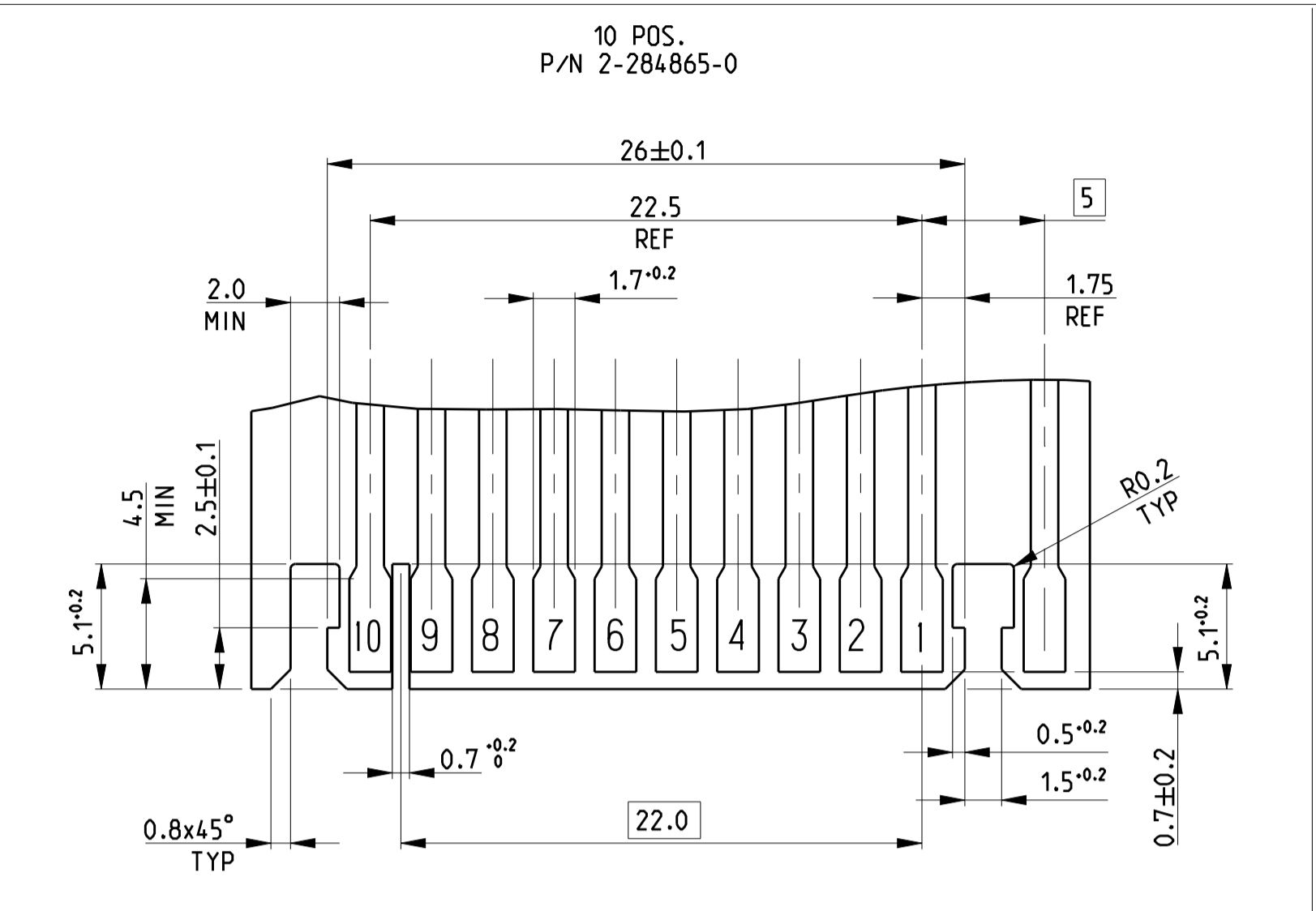
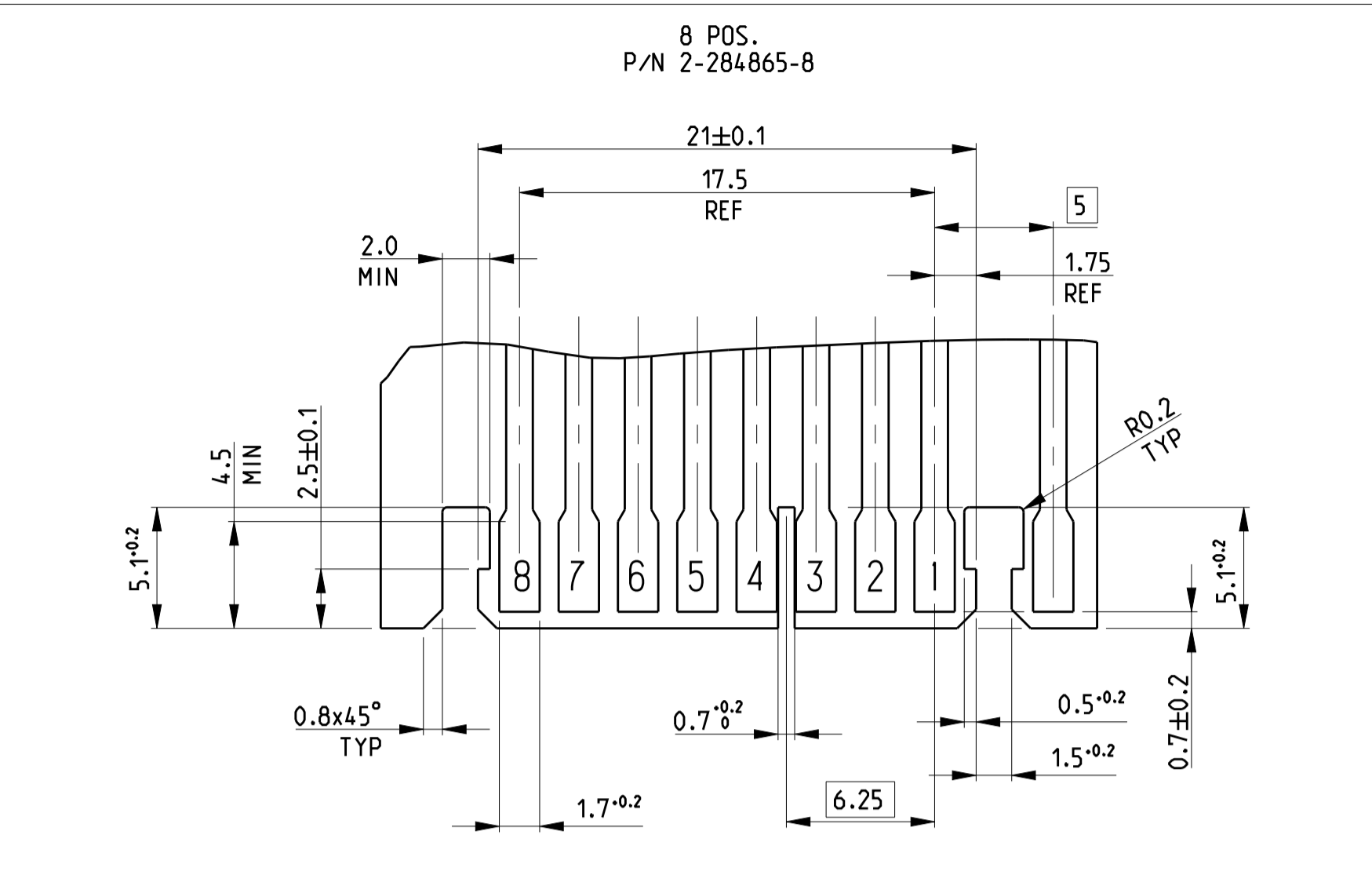
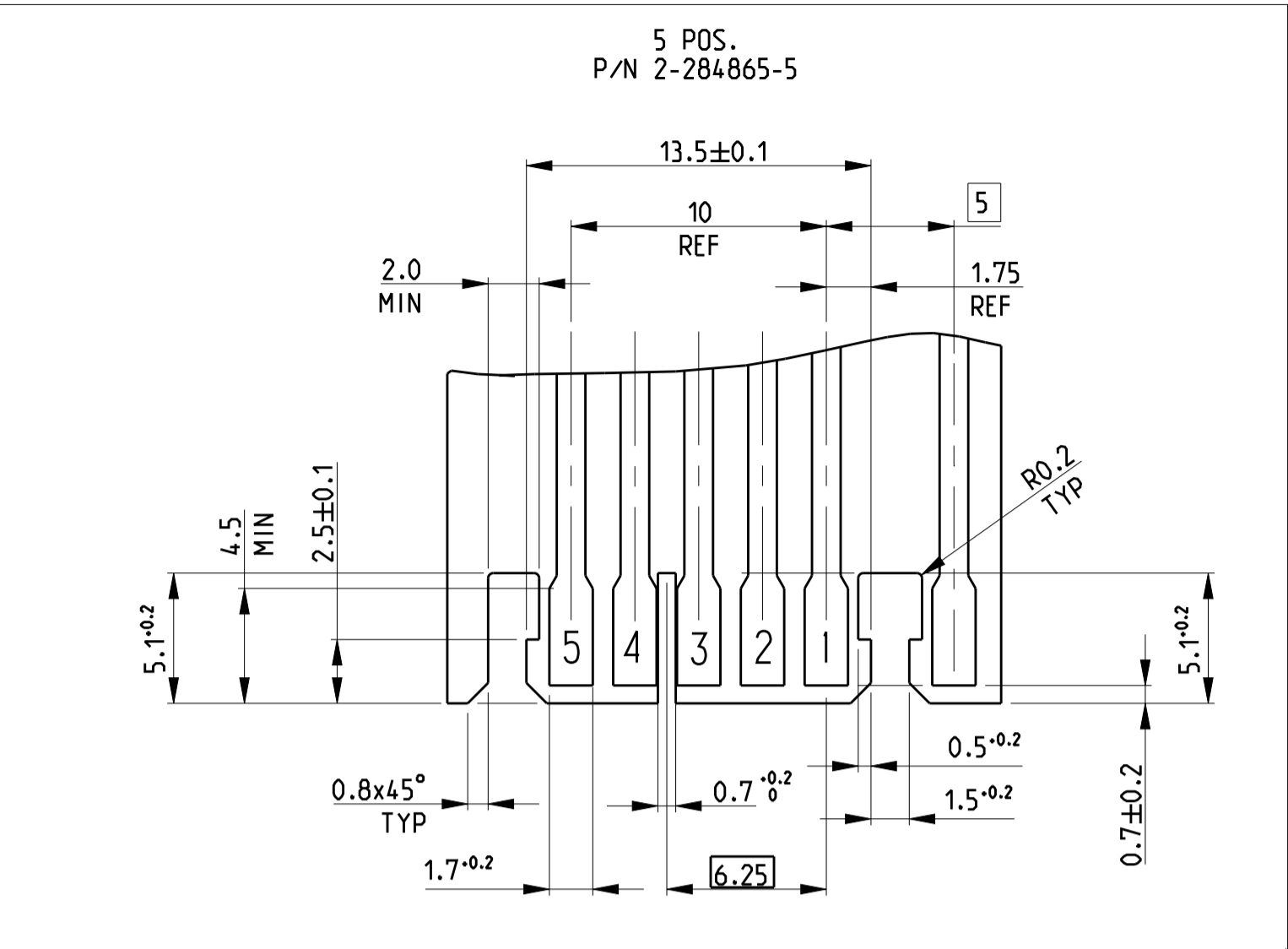
THIS DRAWING IS A CONTROLLED DOCUMENT. DNW R. FABRIS 03JUL2002
 CHE -
 DIMENSIONS: mm
 TOLERANCES UNLESS OTHERWISE SPECIFIED:
 0 PLC # # # # #
 1 PLC # # # # #
 2 PLC # # # # #
 3 PLC # # # # #
 4 PLC # # # # #
 5 PLC # # # # #
 ANGLES # # # # #
 MATERIAL SEE TABLE
 FINISH SEE TABLE

NAME	DUOPLUG 2.5 FEMALE CONN., SIDE LOCKING KEYPED (FULLY LOADED)
PRODUCT SPEC	108-20238
APPLICATION SPEC	116-18049-1
SIZE	A1
CAGE CODE	00779
DRAWING NO	C=284865
RESTRICTED TO	-
Customer Drawing	SCALE 2:1 SHEET 2 OF 4 REV A18

LOC	DIST	REV	DESCRIPTION	DATE	OWN	APPD
		1	SEE SHEET 1			

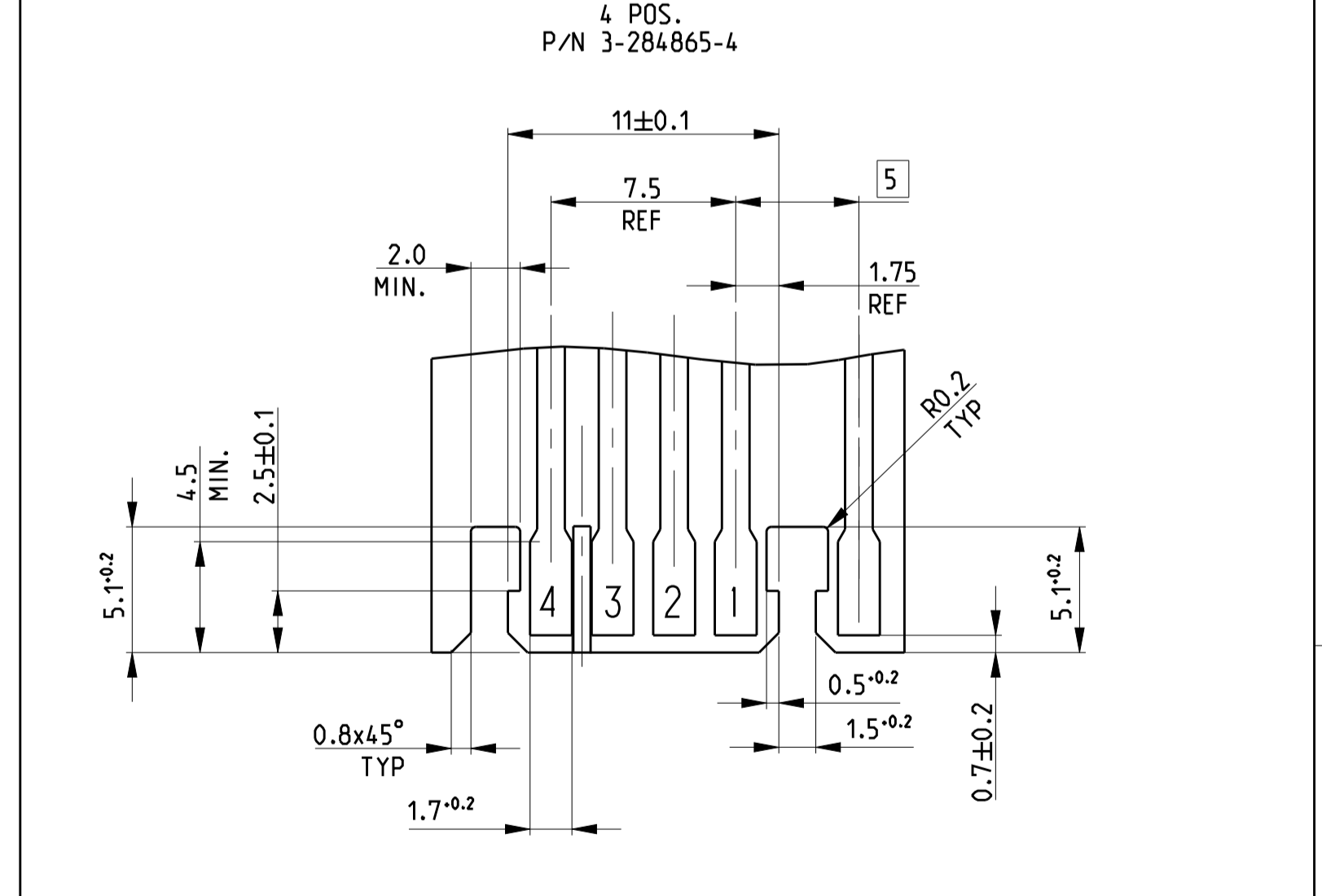
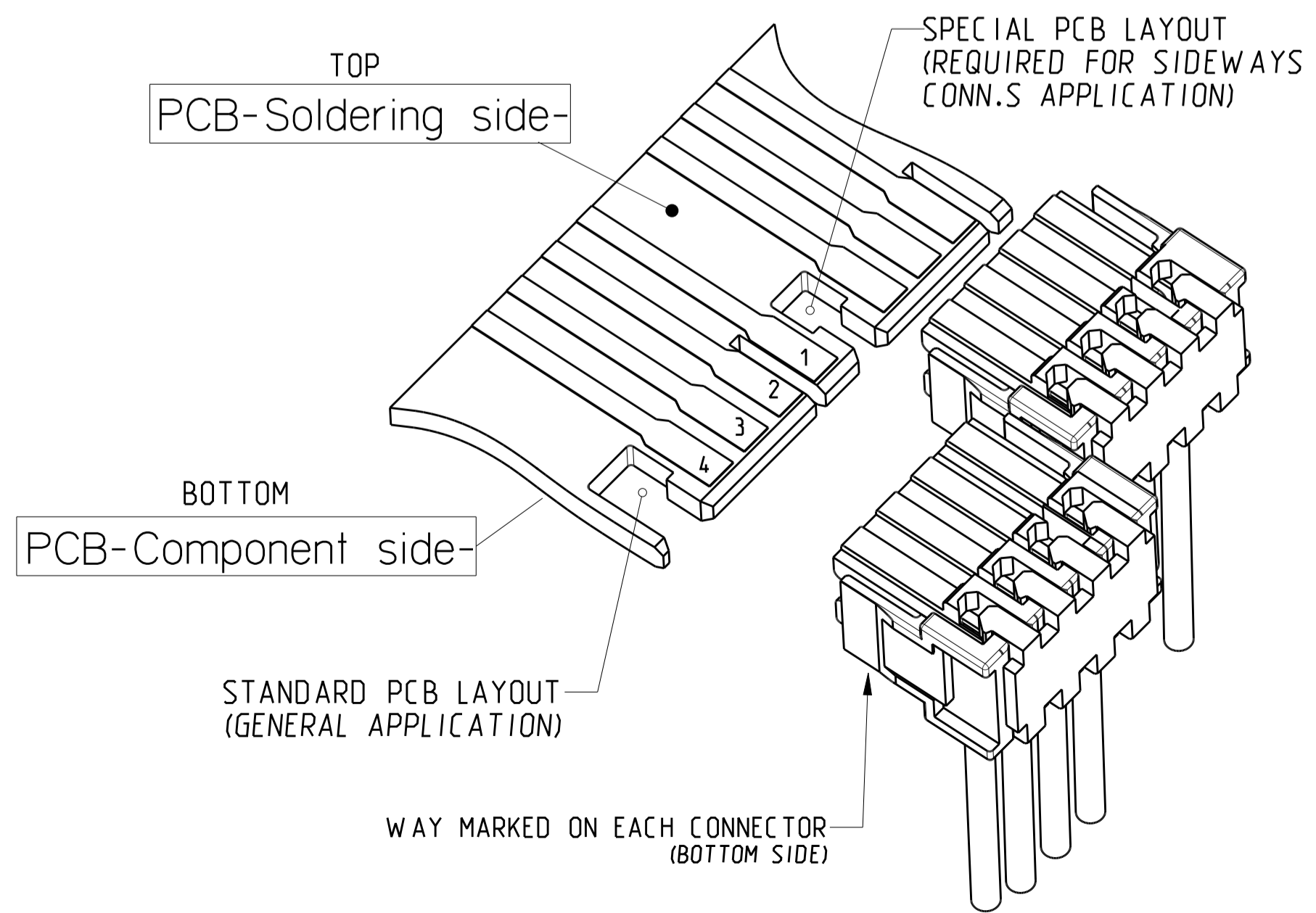
PCB LAYOUT -Soldering side-

(SCALE 4:1)



CONNECTION LAYOUT

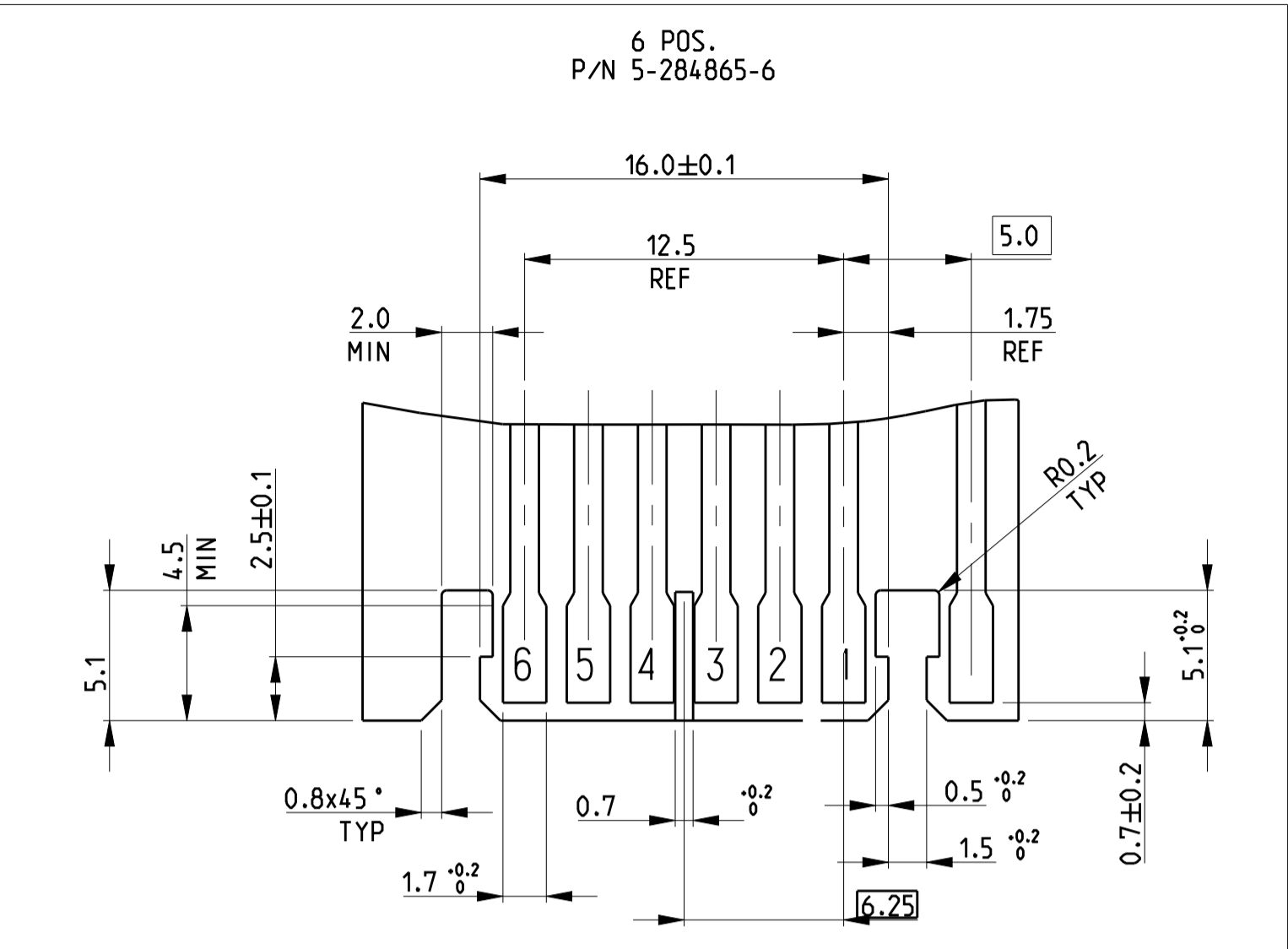
E.G P/N 0-284865-4
(SCALE 4:1)


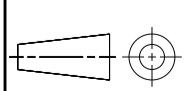


THIS DRAWING IS A CONTROLLED DOCUMENT.		OWN R. FABRIS 03JUL2002	TE Connectivity	
DIMENSIONS: mm		CHK -		
TOLERANCES UNLESS OTHERWISE SPECIFIED:		APVD G. TURCO	NAME DUOPLUG 2.5 FEMALE CONN., SIDE LOCKING KEYPED (FULLY LOADED)	
0 PLC # # # #		PRODUCT SPEC	SIZE 108-20238	
1 PLC # # # #		APPLICATION SPEC	CAGE CODE DRAWING NO 116-18049-1	
2 PLC # # # #		WEIGHT	RESTRICTED TO A1 00779 ©=284865	
3 PLC # # # #		FINISH	SHEET 3 OF 4	
4 PLC # # # #		Customer Drawing	SCALE 10:1	
ANGLES			REV A18	

PCB LAYOUT -Soldering side-
 (SCALE 4:1)

LOC		DIST		REVISIONS			
		P	LTR	DESCRIPTION	DATE	DWN	APVD
		-		SEE SHEET 1	-	-	-



THIS DRAWING IS A CONTROLLED DOCUMENT.		DWN R. FABRIS 03JUL2002	 TE Connectivity		
DIMENSIONS: mm		CHK -			
		TOLERANCES UNLESS OTHERWISE SPECIFIED:	NAME DUOPLUG 2.5 FEMALE CONN., SIDE LOCKING KEYPED (FULLY LOADED)		
MATERIAL SEE TABLE		0 PLC ± 1 PLC ± 2 PLC ± 3 PLC ± 4 PLC ± ANGLES ±° FINISH	APVD G. TURCO PRODUCT SPEC 108-20238 APPLICATION SPEC 116-18049-1	SIZE A1 CAGE CODE C=284865 DRAWING NO	RESTRICTED TO
		WEIGHT -	Customer Drawing	SCALE 10:1	SHEET 4 OF 4